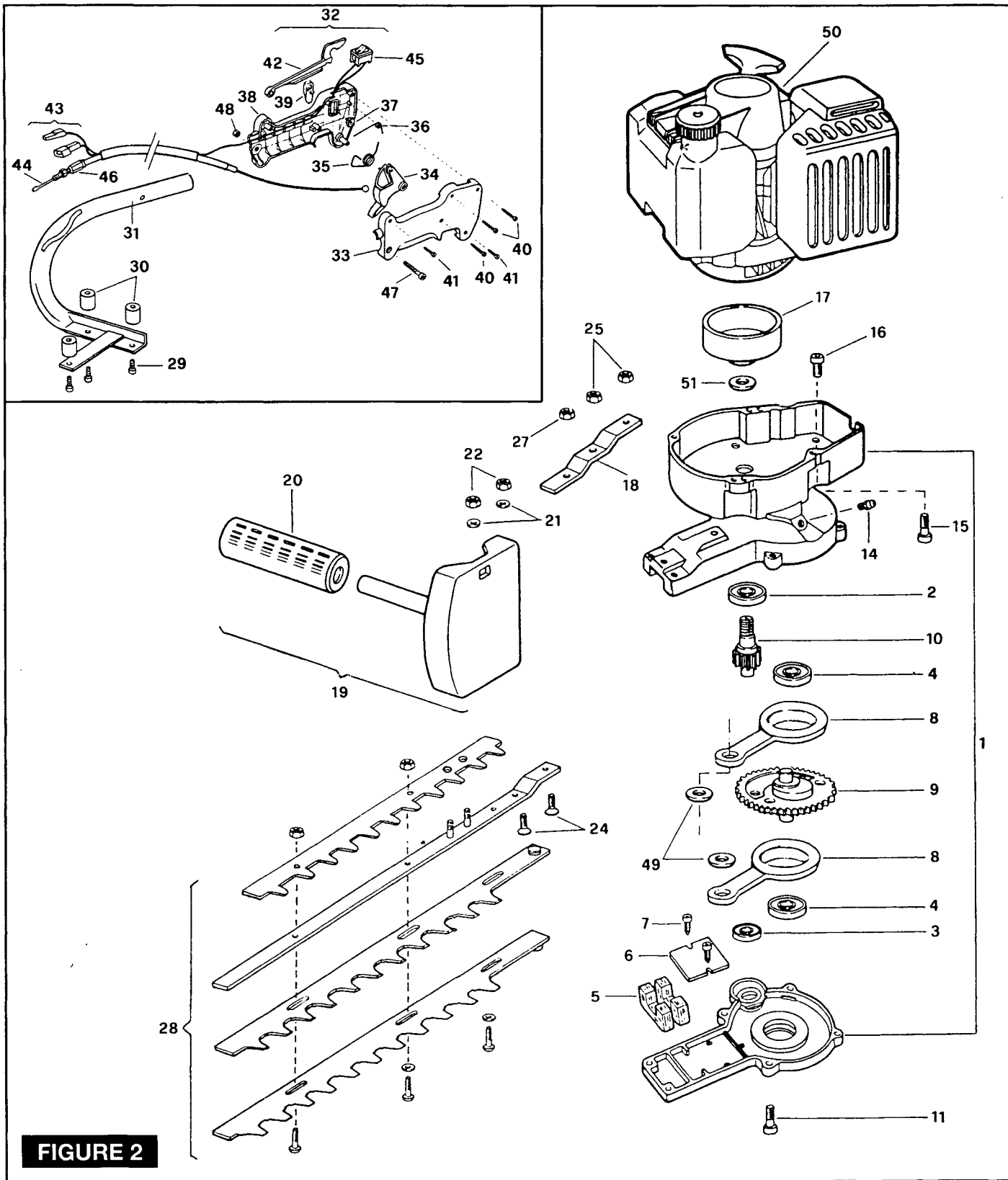


**FIGURE 1**

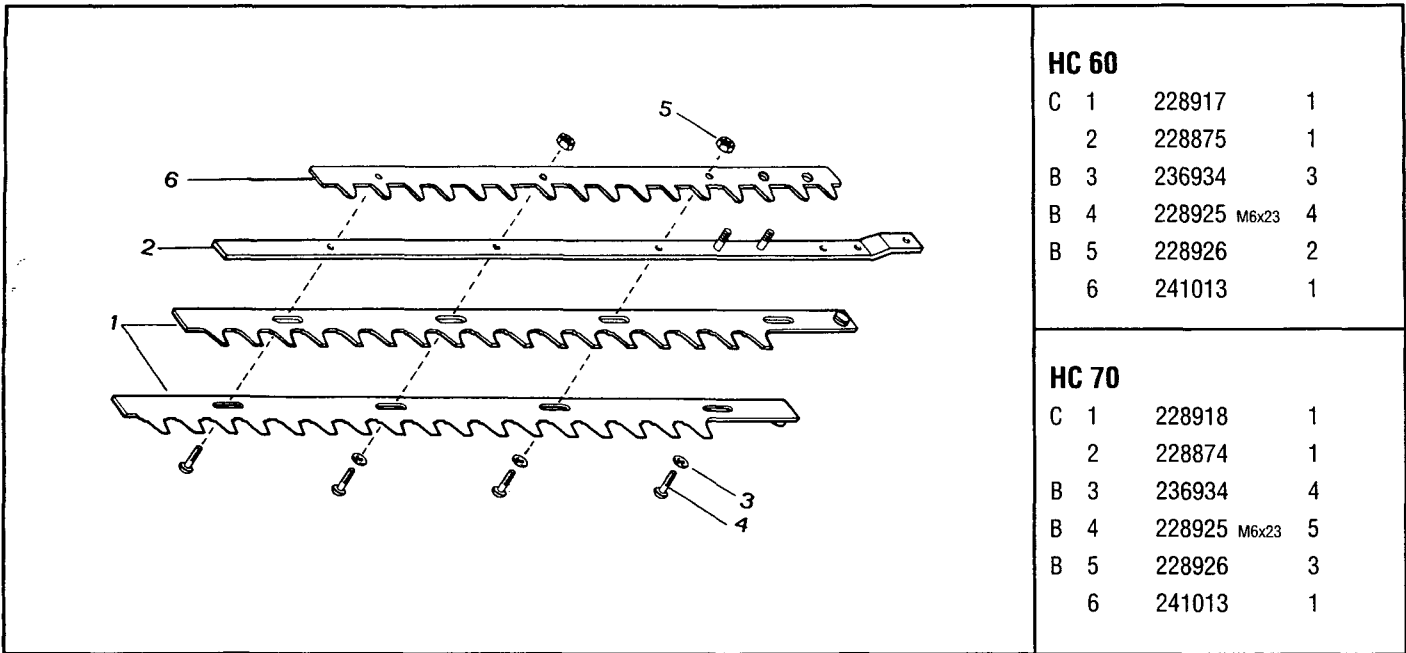
1	227274	M5x60	2	23	228957	M4x25	1	48	● 300294	1	65	241606	1	102	241595	1	
C 2	241677		1	24	235431		1	49	241624	1	C 66	302138	1	103	241594	2	
3	241705		2	25	228908	M4x14	1	50	225037	1	68	● 236322	1	C 104	102164	1	
4	235819		1	26	235612		3	51	236381	M5x10	69	● 235433	1	106	235804	M5x30	4
5	235820		1	27	229103		1	52	224165	1	70	● 235922	1	C 107	241596	1	
6	235822		1	C 30	301833-01		1	A 53	92879	1	71	241607	1	C 108	241596	1	
7	241602		1	32	322231		1	C 54	302000	1	75	228957	M4x25	2	C 109	241105	1
B 8	241640		1	33	235642		2	55	323419	2	76	235431	1	B 110	● 229132	1	
9	241704		1	C 34	323829		1	B 56	241598	1	77	228884	1	B 111	● 227139	1	
12	235048		2	36	228957	M4x25	3	57	236933	M6x18	94	241585	1	A 112	● 93720	1	
C 15	FIGURE 4			C 38	241614		1	B 58	217554	1	95	241584	1	C 113	● 235675	1	
A 16	241600		1	B 42	● 241620		1	59	● 215536	1	C 96	● 235742	1	B 114	● 223508	1	
17	240802	M5x20	2	A 43	● 235308		1	60	● 215538	2	C 97	248177	1	115	241611	1	
C 18	323323-01		1	B 44	● 241619		1	A 61	● 223770	2	B 98	● 240002	1	116	241612	1	
B 19	241643		1	45	● 235612		1	62	241604	1	99	● 235007	1				
21	235248		1	46	● 216792		1	63	222372	1	100	● 235008	2				
22	235612		2	47	● 241703		1	64	227568	M4x20	101	241597	4				

A = high moving - alta rotazione - haute demande - große Nachfrage    B = medium moving - media rotazione - moyenne demande - mittelmäßige Nachfrage    C = slow moving - bassa rotazione - basse demande - wenige Nachfrage

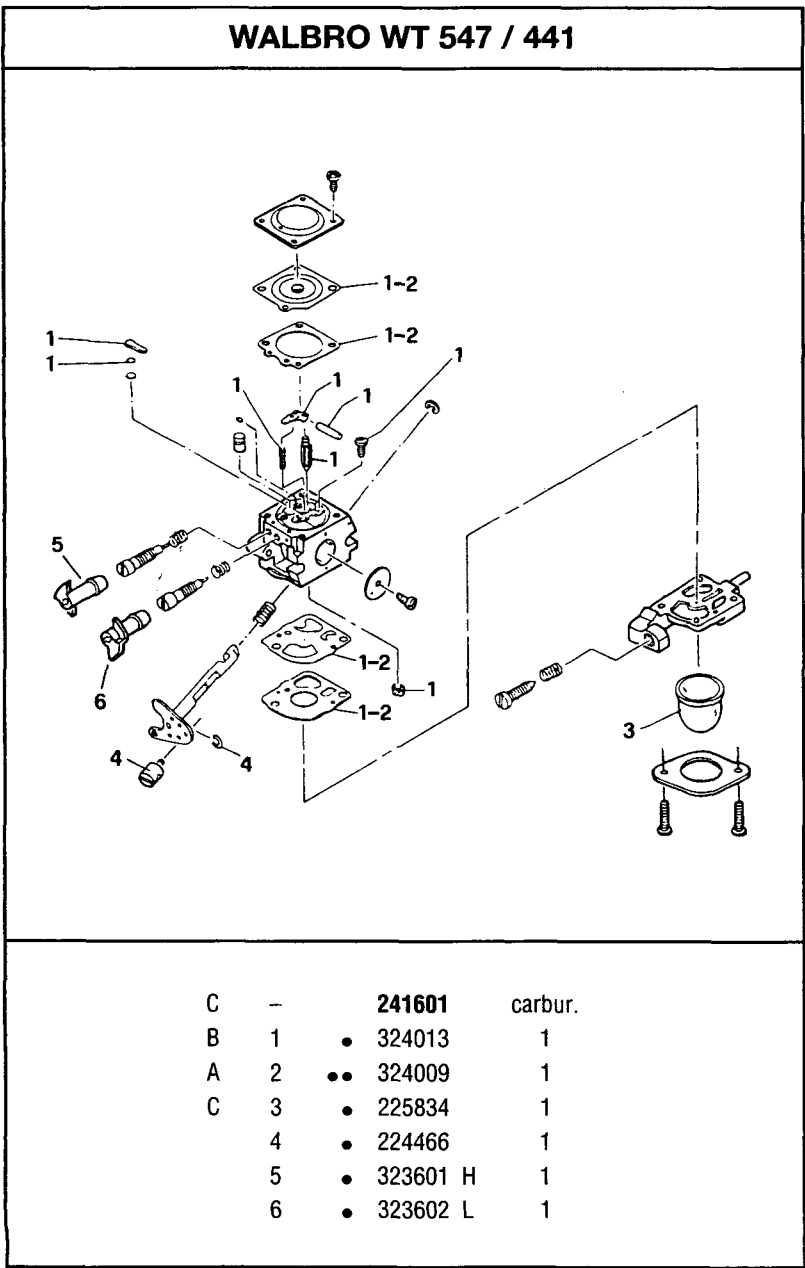


**FIGURE 2**

1	248114	1	C 17	301115-03	1	33	● 241293	1	47	235804	M5x30	1
2	● 235897	1	18	241023	1	34	● 241295	1	48	235216		1
3	● 235914	1	19	229080	1	35	● 240091	1	49	228728		2
4	● 228958	2	20	● 235895	1	36	● 229973	1	50	FIGURE 1		
C 5	228921	1	21	236936	2	37	● 229823	1	51	235164		1
6	228891	1	22	228926	2	38	● 241294	1				
7	228945	M3x5	24	228924	M5x20	39	● 229824	1				
C 8	241123	2	25	229208	2	40	● 240833	3				
9	228804	1	27	228926	1	41	● 240618	2				
10	228806	1	28	FIGURE 3		42	● 229820	1				
11	229077	M5x18	29	236512	M6x8	3	C 43	● 240903	1			
14	228861	1	C 30	235987	3		C 44	● 240900	1			
15	235801	M4x16	31	228897	1		C 45	● 236394	1			
16	236389	M6x10	32	240904	1		46	● 229207	1			



**FIGURE 3**



**FIGURE 4**

A = high moving - alta rotazione - haute demande - große Nachfrage  
 B = medium moving - media rotazione - moyenne demande - mittelmäßige Nachfrage  
 C = slow moving - bassa rotazione - basse demande - wenige Nachfrage